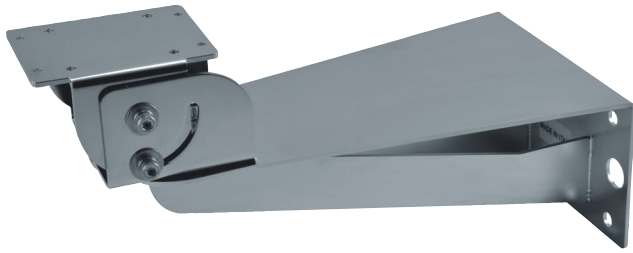


MHXWBS

WALL MOUNT BRACKET



DESCRIPTION

Thick AISI 316L stainless steel MAXIMUS housing bracket. Can be combined with MPXCOL and MPXCW pole and corner mount adapters.

TECHNICAL DATA

MECHANICAL

Bracket for MHX, MHXT, NXM, NXM36, NXM36 Hi-PoE, NXW, NTW, NTM
Suitable for MPXCOL, MPXCW
Made of AISI 316L electropolished stainless steel
Load rating: 40kg (88lb)
Length: 440mm (17.3in)
Unit weight: 5.4kg (11.9lb)

PART NUMBER

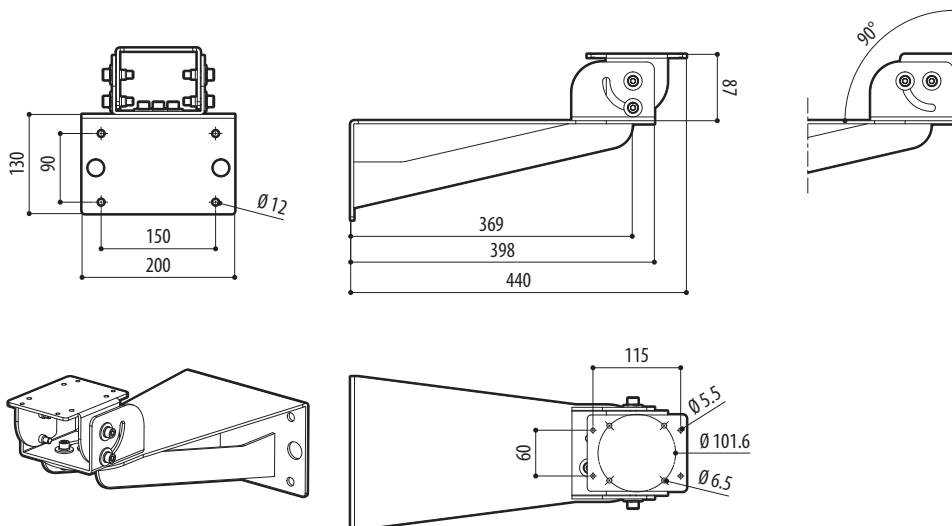
MHXWBS AISI 316L stainless steel wall bracket

PACKAGE

Model Number	Weight	Dimensions (WxHxL)	Master carton
MHXWBS	6.5kg (14.3lb)	58x34x22cm (23x13.4x8.7in)	-

TECHNICAL DRAWINGS

The indicated measurements are expressed in millimetres.



MHXWBS