



PIS200

PORTABLE INSPECTION STATION

PIS200 is a Portable Inspection Station for use with inspection cameras and lighting. Fitted in a rolling suitcase the PIS200 is a flexible monitoring system that is equipped with control panels, DVR and a large HD-screen.

APPLICATIONS

- Portable control unit
- Controls most Ahlberg HD, SD and monochrome tube cameras with pan & tilt units and lights

BENEFITS

- Large, 22" HD-screen
- No calibrations required when changing camera or camera cable
- Built-in control panel and keyboard
- The case is equipped with wheels and an adjustable handle
- Secondary remote control R100 with cable can be connected to the unit

SPECIFICATIONS

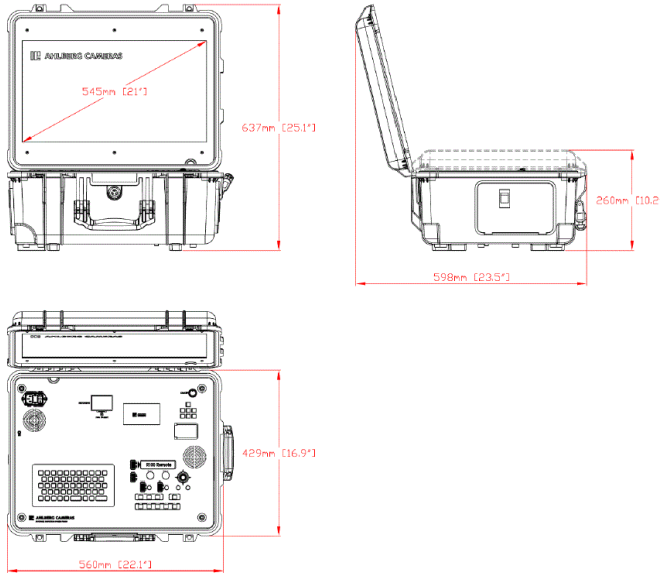
Dimensions (L*W*H)	483x435x133 mm (19"x17"x5,2")
Housing material	Polypropylene
Weight	20,3 kg (44 lbs)
Ingress protection	IP42
Operating temperature	0°C to 45°C
Power supply	90-260VAC / 47-63 Hz / max 800W
Lighting support	2 channels
Video outputs	S-video, Composite, SD/HDcomponent, DVI-D and SDI
Recording	H.264 SD memory card recording
Video overlay (option)	Free text, date, time, zoom, focus distance, pan and tilt values on screen display

We reserve the right to alter specifications without prior notice

PIS200 IMAGES



We reserve the right to alter specifications without prior notice



We reserve the right to alter specifications without prior notice